



2 Speed Mud Pump Drive Ikona 1100MPD-2



Features

- 2 Speed for Precise Mud Metering
- High Efficiency Design
- 50,000 Hours Overhaul Intervals
- Compact Lightweight Design
- Self-Contained Oil Sump
- Use of Engine Oil for Lubrication
- Smooth Clutch Engagement and SoftStart
- SAE Mounting Flange
- All Steel Torsional Coupling
- High Speed Clutch Disengagement
- Multiple Control systems:
 - Mechanical
 - Electrical
 - Hydraulic
 - Pneumatic

IKONA Industries

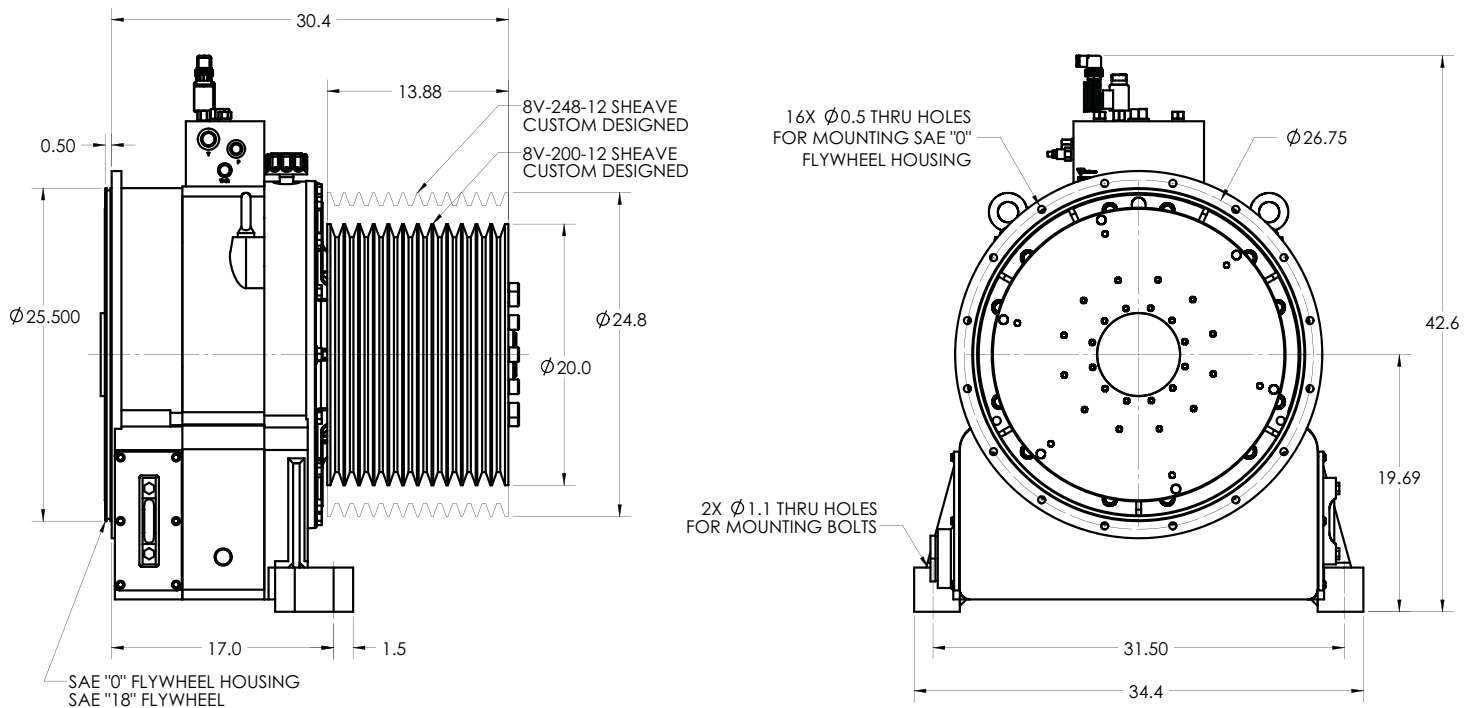
100-1650 Brigantine Dr.
Coquitlam, BC
Canada
V3K 7B5

tel: 604-523-5500
fax: 604-520-5965

www.ikona.ca

2 Speed Mud Pump Drive

Ikona 1100MPD-2



Dimensions subject to change.
Dimensions may vary according to application, ratio, etc.
Contact manufacturer or local representative for certified drawings.

Model

Ikona 1100MPD-2

Ratio

Low Speed: 3:1

High Speed: 2:1

Rating

1,100 hp @ 2,100 rpm

Offset

N/A (coaxial design)

www.ikona.ca



IKONA
INDUSTRIES
CORPORATION