



## AC 2 Speed Planetary Drawworks U-Shape - Parallel Drum & Motor Layout



### Features

- Small Footprint, lightweight Compact Design
- 2 Speed Design: High Speed for Drilling and Tripping  
Low Speed for Casing and Pulling on Stuck Pipe
- Best Utilization of Installed Power
- Large Drum Diameter to Improve Cable Life
- 4 Quadrant Operation AC Motor
- Fail Safe Parking and Emergency Brake
- Highly Reduced Maintenance Requirements

IKONA Industries  
Corporation

100 - 1650 Brigantine Dr.  
Coquitlam, BC  
Canada  
V3K 7B5

tel: 604-523-5500  
fax: 604-520-5965

[www.ikona.ca](http://www.ikona.ca)

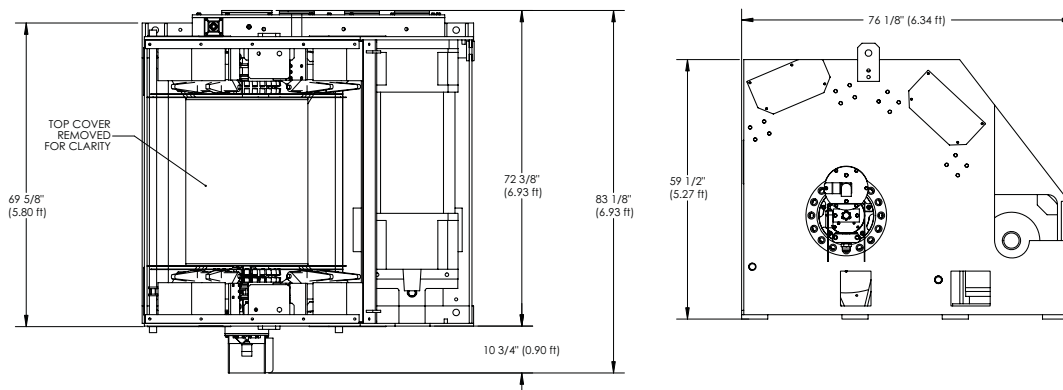
# AC 2 Speed Planetary Drawworks

## U-Shape - Parallel Drum & Motor Layout

Drawworks Model	Hook Load		No. of Lines	Drum Diameter		Cable Diameter	
	[lbs.]	[kgs.]		[in]	[mm]	[in]	[mm]
IKONA 052 DWP-2	191,000	87,000	4	30	762.00	1.000	25.40
	275,000	125,000	6				
	352,000	160,000	8				
IKONA 065 DWP-2	345,000	157,000	6	36	914.40	1.125	28.58
	442,000	200,000	8				
	531,000	242,000	10				
IKONA 080 DWP-2	544,000	247,000	8	36	914.40	1.250	31.75
	653,000	297,000	10				
	<b>750,000</b>	<b>340,194</b>	<b>12</b>				
IKONA 096 DWP-2	654,000	297,000	8	40	1,016.00	1.375	34.93
	785,000	357,000	10				
	904,000	410,000	12				
IKONA 114 DWP-2	776,000	353,000	8	40	1,016.00	1.500	38.10
	931,000	423,000	10				
	1,074,000	488,000	12				
IKONA 132 DWP-2	1,078,000	490,000	10	46	1,168.40	1.625	41.28
	1,243,000	565,000	12				
	1,393,000	633,000	14				
IKONA 153 DWP-2	1,250,000	568,000	10	46	1,168.40	1.750	44.45
	1,441,000	655,000	12				
	1,614,000	734,000	14				
IKONA 198 DWP-2	<b>1,858,000</b>	<b>842,775</b>	<b>12</b>	46	1,168.40	2.000	50.80
	<b>2,091,000</b>	<b>948,462</b>	<b>14</b>				
	<b>2,307,000</b>	<b>1,046,438</b>	<b>16</b>				

### EXEMPLIFICATION:

2-SPEED PLANETARY DRAWWORKS  
500,000LBS HOOK-LOAD



Dimensions subject to change.  
Contact manufacturer or local representative for certified drawings.

[www.ikona.ca](http://www.ikona.ca)



**IKONA**<sup>™</sup>

INDUSTRIES  
CORPORATION